



scorpion 15E

OIL & STEEL

scorpion 15E

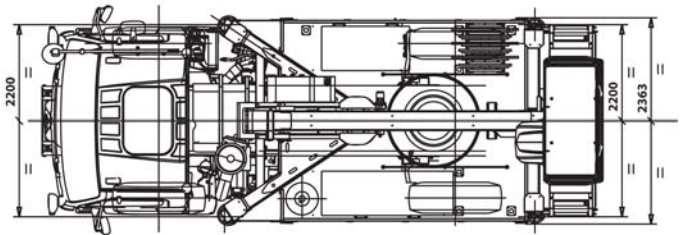
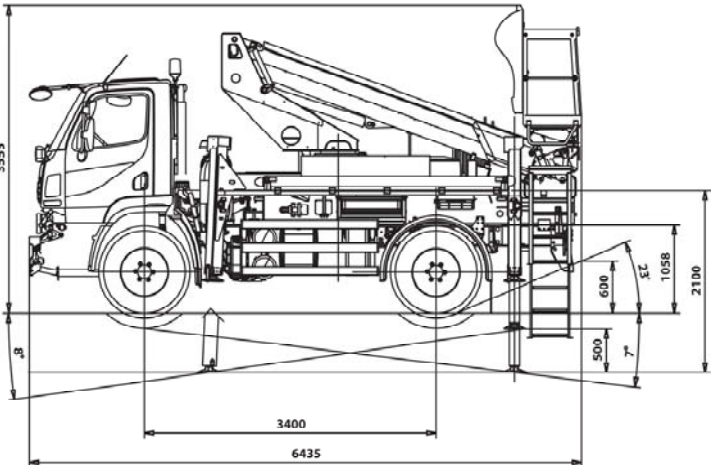
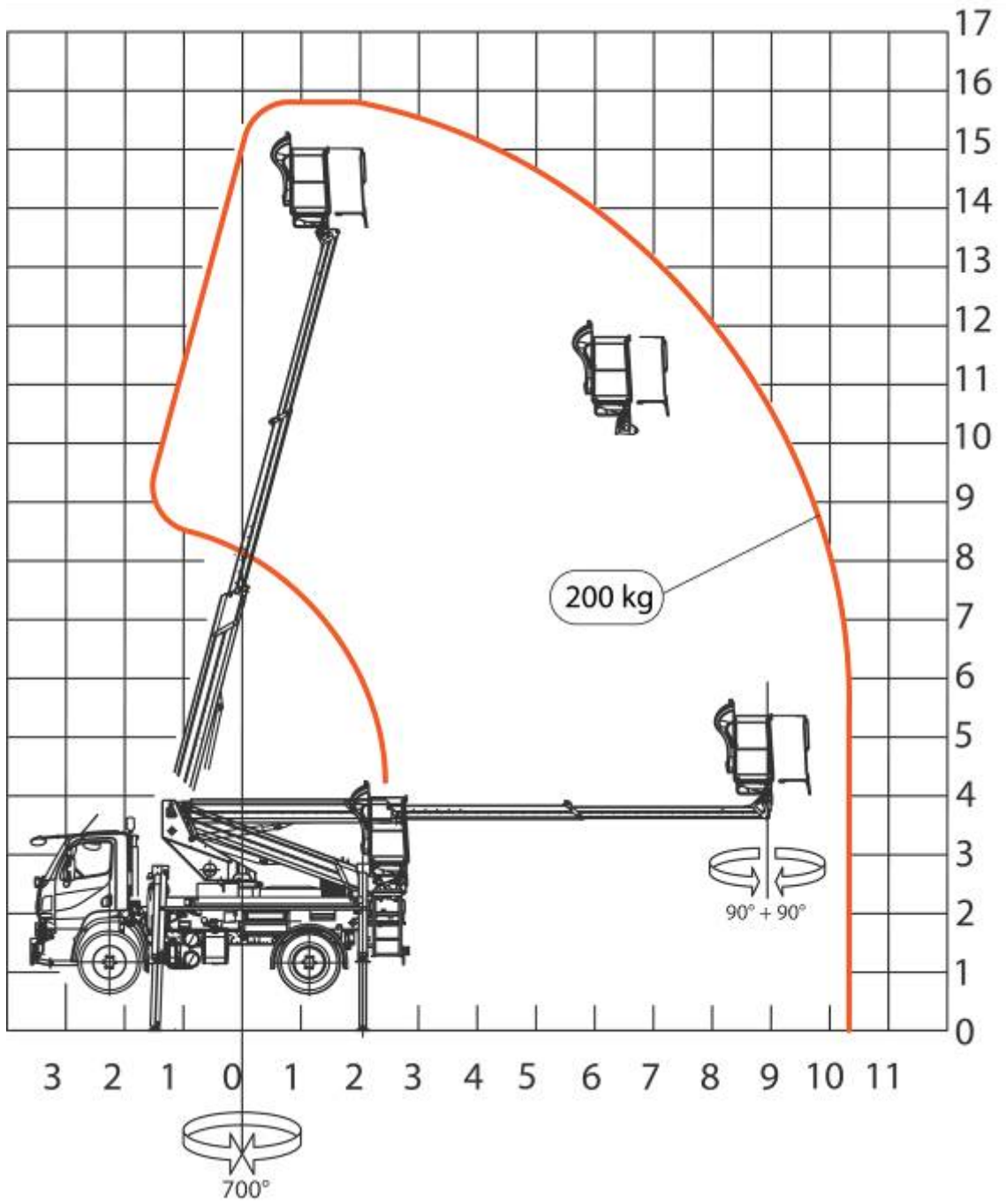




scorpion 15E



scorpion 15E



**DATI TECNICI – SPECIFICATIONS – DATOS TECNICOS
 CARACTÉRISTIQUES TECHNIQUES – TECHNISCHE DATEN**

Maximum Working Height	15,9 m
Platform Floor Height	13,9 m
Maximum Working Outreach	10,3 m
Boom	Telescopic, Steel
Slewing Turret	700°
Basket	1400 x 700xh 1100 mm Fibre Glass
Slewing Platform	90° Right + 90° Left
Controls	Proportional Hydraulic Type
Loading Capacity	200 kg/2 Operators + Tools
Machine Height	3555 mm
Machine Length	6435 mm
Machine Width	2200 mm
Stabilization System	Closed Shape Type
Installed On	Unimog U20 – 8,5 ton



scorpion 15E

Technical data can be revised without prior notice

OIL&STEEL spa
via G. Verdi 22
41018 S. Cesario Sul Panaro
Modena Italy
tel +39 059 936811
fax +39 059 936413

OIL & STEEL